

we make it.

8' x 11' Split Torrent Tent (view)

The perfect 2 person summer tent, "my guess is that you will do your sleeping outside under the awning."

Most tent awnings come down when it gets windy. Not this one! The low profile awning allows you to continue staying outside even when it gets windy. Inside the tented area is more compact than other tents of the same size. You may not need the back door but it increases the ventilation and is the only way

Specs:

6' tall by 5' wide Front Door with Screen Doors

Rear Door with Screen

Rear Windows and a Vent

Large Front Awning

Center Pole: 8'

Front Pole: 5.5'

Back Door Pole: 5.5'

Rating:

- Ventilation: 10

- Wind: 6

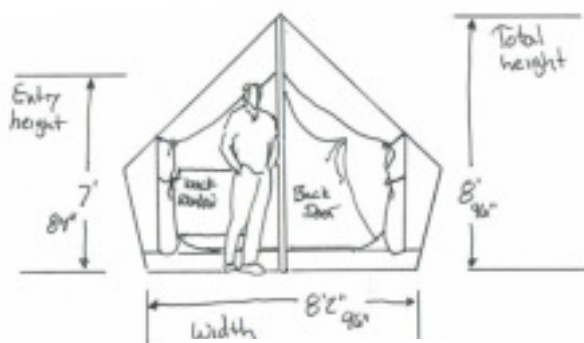
- Setup: 6

Side Wall Height: 3'

Square Foot: 88'

Guy Lines: 8

Stakes: 16



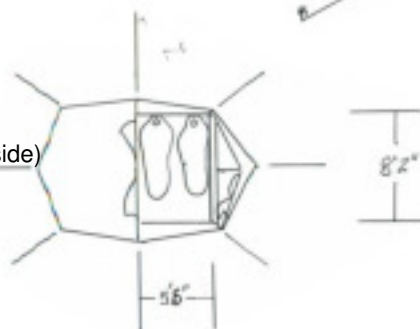
8' x 11' Split Torrent Tent (front view)

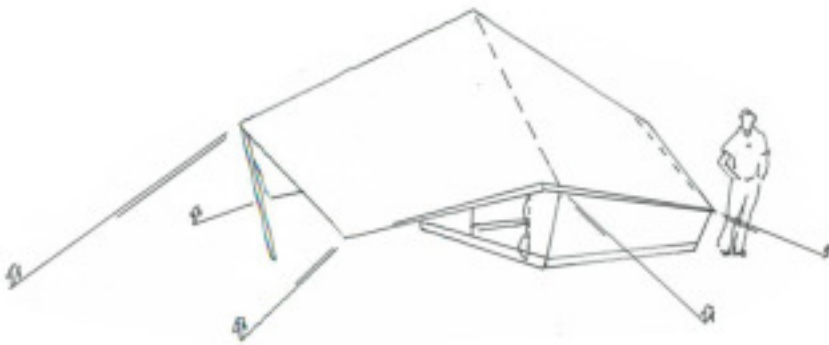
The front view shows how well protected the outside space is. A screened in option is available and defines the outside space where things will not get blown away. With the front screened in option the back door becomes more useful.



8' x 11' Split Torrent Tent Floor Space

- Foot Print: 8' 2" x 10' 9"
- Usable floor space under canopy 100% (half is outside)
- Inside Space: 8' 2" x 5' 4.5"
- Sleeps 2 people on the ground
- Sleeps 1 on cot



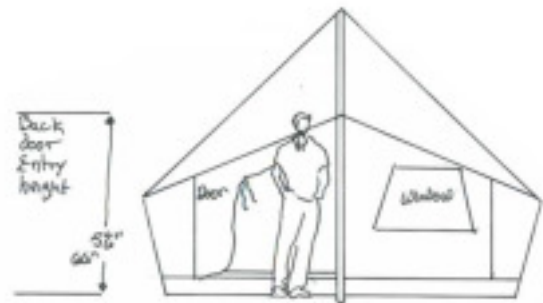
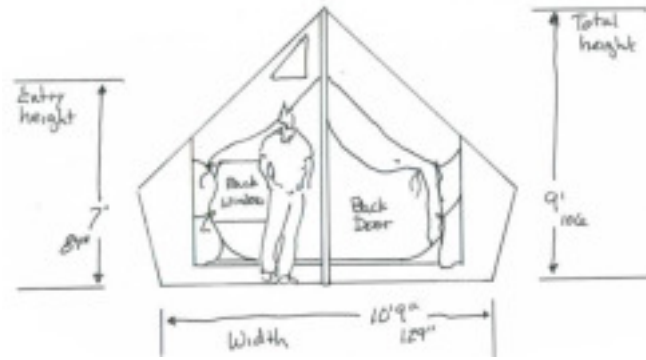


Specs:

- 6.5' tall by 5' wide Front Door with Screen Doors
- Rear Door with Screen
- Rear Windows and a Vent
- Large Front Awning
- Center Pole: 10'
- Front Pole: 6'
- Back Door Pole: 6'
- Side Wall Height: 3'
- Square Foot: 154'
- Guy Lines: 8
- Stakes: 16

Rating:

- Ventilation: 10
- Wind: 6
- Setup: 6
- Tent Footprint: Large



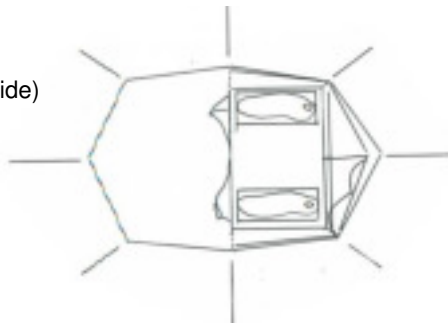
11' x 14' Split Torrent Tent (front view)

The front view shows how well protected the outside space is. A screened in option is available and defines the outside space where things will not get blown away. With the front screened in option the back door becomes more useful.



11' x 14' Split Torrent Tent Floor Space

- Footprint: 10' 9" x 14' 2"
- Usable floor space under canopy 100% (half is outside)
- Inside Space: 10' 9" x 7" 1"
- Sleeps 3-4 people on the ground
- Sleeps 2 on cot



11' x 14' Split Torrent Tent (view)

Perfect summer tent when there's no shade around. For people who like having outside space. Most tent awnings come down when it gets windy. Not this one! The awning is part of the tent structure, so it is more adept to take heavy winds.